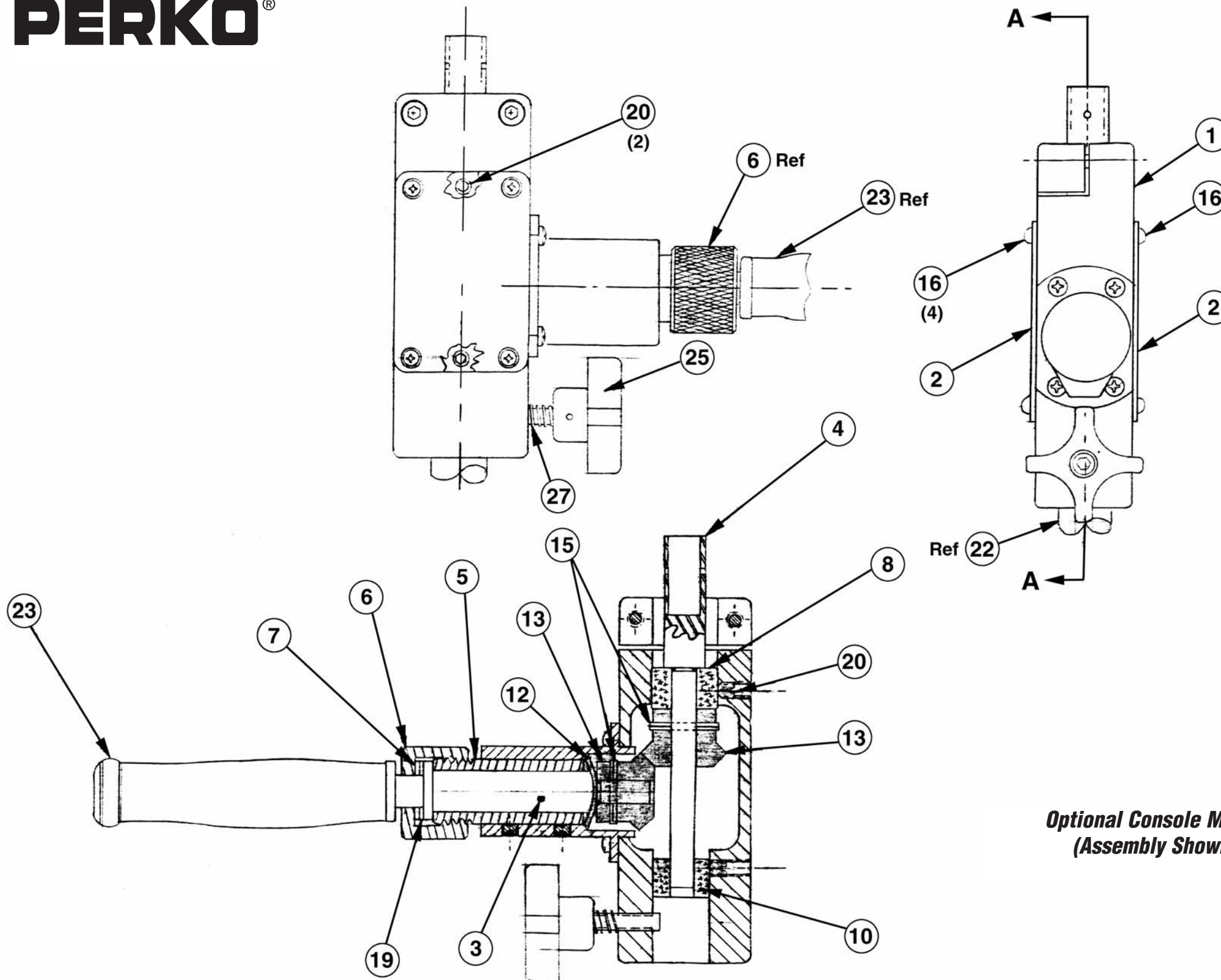


PERKO®

Bill of Material

| Item | Qty | PERKO Part Number | S&T Part No. (Ref. Only) | Description |
|------|-----|-------------------|--------------------------|-------------------------|
| 1 | 1 | 9530 015 | 108C997 | Housing Assy Lever Gear |
| 2 | 2 | 9530 016 | 103C555 | Cover |
| 3 | 1 | 9530 022 | 103C556 | Shaft |
| 4 | 1 | 9530 026 | 103C557 | Shaft |
| 5 | 1 | 9530 017 | 103C558 | Bushing |
| 6 | 1 | 9530 018 | 103B559 | Lock Nut |
| 7 | 1 | 9530 029 | 103B560P1 | Washer, Fibre |
| 8 | 1 | 9530 019 | 103B561 | Bushing |
| 10 | 1 | 9530 020 | 103B563 | Bushing |
| 12 | 1 | 9400 009 4 | W50-900-009 | Washer, Spring |
| 13 | 2 | 9530 021 | 103B567 | Gear |
| 14 | --- | 4253 900 F | MS16562-223 | Pin, Spring, Cres |
| 15 | 3 | 4253 F00 F | MS16562-226 | Pin, Spring, Cres |
| 16 | 8 | 3690 942 1 | MS51957-27 | Screw |
| 19 | 1 | 9530 030 | 103B560P2 | Washer, Teflon |
| 20 | 4 | 4211 731 1 | MS51021-56 | Set Screw |
| 21 | --- | 4252 B00 F | M516562-216 | Pin, Spring, Cres |
| 22 | --- | 9530 012 | 103B569 | Shaft, Support |
| 23 | 1 | 9530 023 | 109A587 | Grip, Plastic |
| 25 | 1 | 9530 024 | 106B722 | Knob, Plastic Assy |
| 26 | --- | 3780 735 1 | MS51023-61 | Set Screw |
| 27 | 1 | 9530 027 | 106A724 | Spring |
| 28 | --- | 9530 001 | 103B936 | Rod, Elevation |
| 29 | --- | 9530 002 | 103B937 | Post, Azimuth |
| 30 | --- | 9530 025 | 1040486 | Ceiling Mount |
| 31 | --- | 9530 004 | 104A514 | Knob |
| 32 | --- | 9530 012 | 106B665P1 | Base, Support Shaft |
| 33 | --- | 9530 010 | 103C596 | Gear Spur |
| 34 | --- | 9530 009 | 110B553 | Shaft, Base Support |
| 35 | --- | 9530 005 | 110C301 | Locking Mount |



Section A-A

Optional Console Mount
(Assembly Shown)

| | |
|-------------------------------|----------------------|
| PERKO® | |
| 16490 N.W. 13th Avenue | Miami, FL 33169-5707 |
| Date: 1/9/03 | Drawn By: R.Cozier |
| Scale: None | Revised: |
| Fig. 9530 Lever Gear Assembly | |